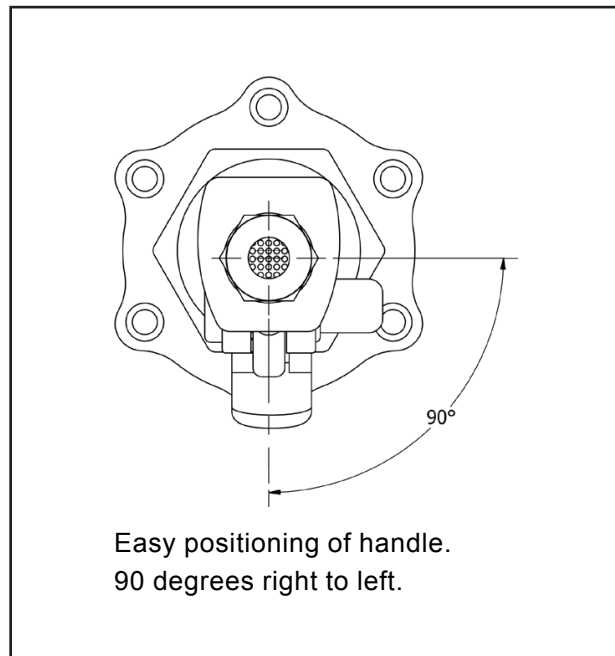


SABRE AIRCRAFT TOOLS

Rivet Squeezer Safety Handle

Safety Handle prevents accidental activation of tool. Operator must depress safety button on lock-off trigger to activate throttle. Handle can be indexed from right to left positions 90 degrees.

Handle Kit is easy to install by removing original backhead and replacing it with the Safety Handle. Will fit all popular single, tandem and triple cylinder squeezers.



Safety Handle helps to prevent accidents while changing rivet snaps or while being carried with the air hose still connected.

Air Inlet 1/4" NPT. Use 5/16" (8.0 mm) I.D. Hose.
Tool Performance rated @ 90PSI (620KPA) Air Pressure.

Safety Precaution: Read and follow all safety and operating instructions.
WARNING: Face and eye protections must be worn while operating power tools, per ANSI B186.1

Products and specifications subject to change without prior notice.

www.sabretools.com • info@sabretools.com

