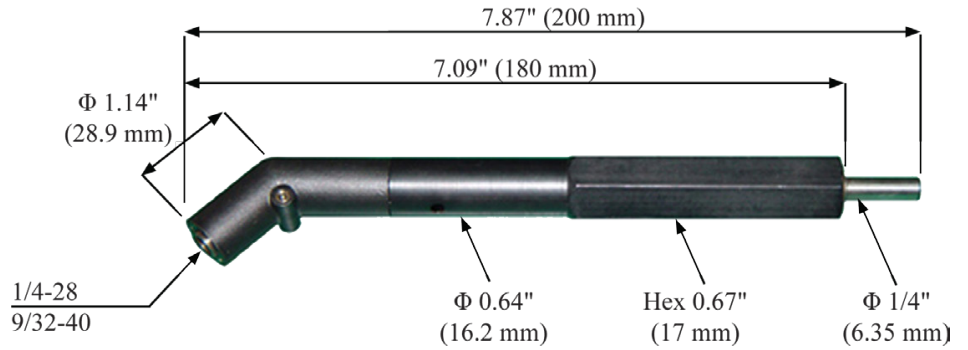


SABRE AIRCRAFT TOOLS

Drill Attachments

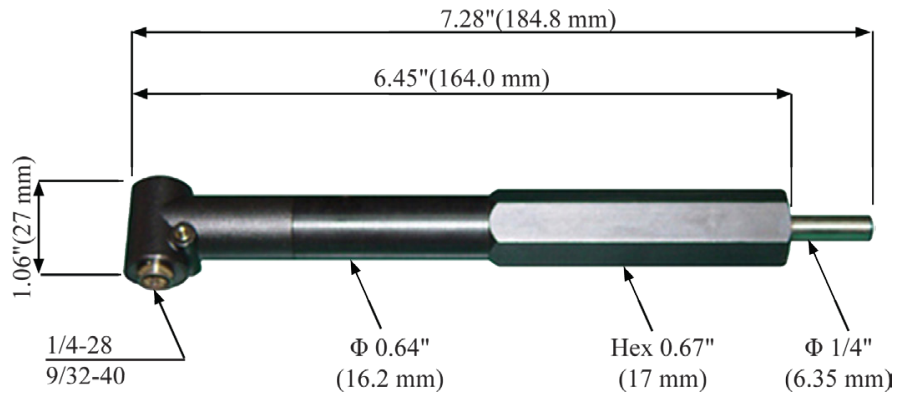
45 Deg. Drill Attachment

Model Number Spindle Thread	
1/4"-28	9/32"-40
SA12315	SA12316



90 Deg. Drill Attachment

Model Number Spindle Thread	
1/4"-28	9/32"-40
SA12310	SA12311



Safety Precaution: Read and follow all safety and operating instructions.
WARNING: Face and eye protections must be worn while operating power tools, per ANSI B186.1

Products and specifications subject to change without prior notice.



www.sabretools.com
 info@sabretools.com