

SABRE AIRCRAFT TOOLS

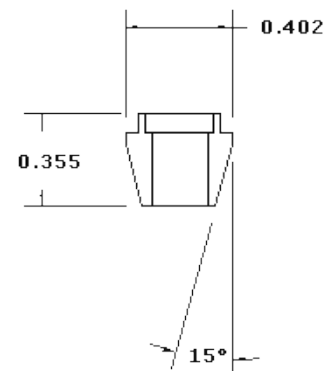
Angle Drill Collets Type B

Part No.	Hole Size
SA940312	1/32
SA940315	0.8mm
SA940354	0.9mm
SA940394	1.0
SA940400	60
SA940410	59
SA940420	58
SA940430	57
SA940433	1.1mm
SA940465	56
SA940469	3/64
SA940472	1.2mm
SA940512	1.3mm
SA940520	55
SA940550	54
SA940551	1.4mm
SA940591	1.5mm
SA940595	53
SA940625	1/16
SA940630	1.6mm
SA940635	52
SA940669	1.7mm
SA940670	51
SA940700	50
SA940709	1.8mm
SA940730	49
SA940748	1.9mm
SA940760	48
SA940781	5/64
SA940785	47
SA940787	2
SA940810	46
SA940820	45
SA940827	2.1mm
SA940860	44
SA940866	2.2mm
SA940890	43
SA940906	2.3mm
SA940935	42
SA940938	3/32
SA940945	2.4mm
SA940960	41
SA940980	40
SA940984	2.5mm
SA940995	19
SA941015	38
SA941024	2.6mm
SA941040	37
SA941063	2.7mm
SA941065	36

Part No.	Hole Size
SA941094	7/64
SA941102	2.8mm
SA941142	2.9mm
SA941181	3.0mm
SA941220	3.1mm
SA941250	1/8
SA941260	3.2mm
SA941285	30
SA941299	3.3mm
SA941339	3.4mm
SA941378	3.5mm
SA941406	9/64
SA941417	3.6mm
SA941440	#27
SA941457	3.7mm
SA941470	26
SA941496	3.8mm
SA941520	24
SA941535	3.9mm
SA941562	5/32
SA941575	4.0mm
SA941590	21
SA941610	20
SA941614	4.1mm
SA941654	4.2mm
SA941660	19
SA941693	4.3mm
SA941719	11/64
SA941730	#17
SA941732	4.4mm
SA941772	4.5mm
SA941800	15
SA941811	4.6mm
SA941820	14
SA941850	4.7mm
SA941875	3/16
SA941890	4.8mm
SA941910	11
SA941929	4.9mm
SA941935	10
SA941960	9
SA941969	5.0mm
SA942047	5.2mm
SA942126	5.4mm
SA942205	5.6mm
SA942283	5.8mm
SA942362	6.0mm
SA942441	6.2mm
SA942520	6.4mm
SA942598	6.6mm



Colletes for 6.6mm



Safety Precaution: Read and follow all safety and operating instructions.
WARNING: Face and eye protections must be worn while operating power tools, per ANSI B186.1

Products and specifications subject to change without prior notice.



www.sabretools.com
 info@sabretools.com