

# SABRE AIRCRAFT TOOLS

## MICROSTOP CAGE

Stay Locked with the  
Left-Handed Threaded  
Lock Ring

### Standard Type Skirt with Polished Foot

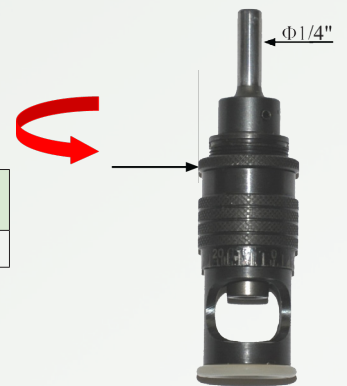
Model Number	Part No.	Cutter Capacity inch/mm	Spindle Thread	Shaft Travel inch/mm	Max Speed RPM
S30330	330S	5/8" (15.875mm)	1/4"-28	9/32" (7.14mm)	3,000



Stay Locked with the  
Left-Handed Threaded  
Lock Ring

### Standard Type Skirt with Nylon Foot Piece

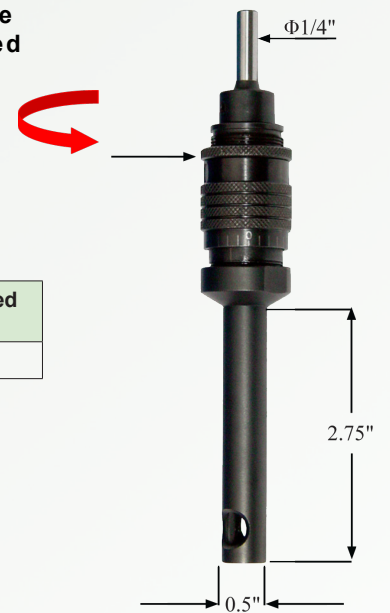
Model Number	Part No.	Cutter Capacity inch/mm	Spindle Thread	Shaft Travel inch/mm	Max Speed RPM
S30335	330SP	5/8" (15.875mm)	1/4"-28	9/32" (7.14mm)	3,000



Stay Locked with the  
Left-Handed Threaded  
Lock Ring

### Standard Type Skirt with Polished Foot

Model Number	Part No.	Cutter Capacity inch/mm	Spindle Thread	Shaft Travel inch/mm	Max Speed RPM
S30660	284	0.375" (9.525mm)	1/4"-28	9/32" (7.14mm)	3,000



**Safety Precaution:** Read and follow all safety and operating instructions.  
**WARNING:** Face and eye protections must be worn while operating power tools, per ANSI B186.1

Products and specifications subject to change without prior notice.



www.sabretools.com  
info@sabretools.com