

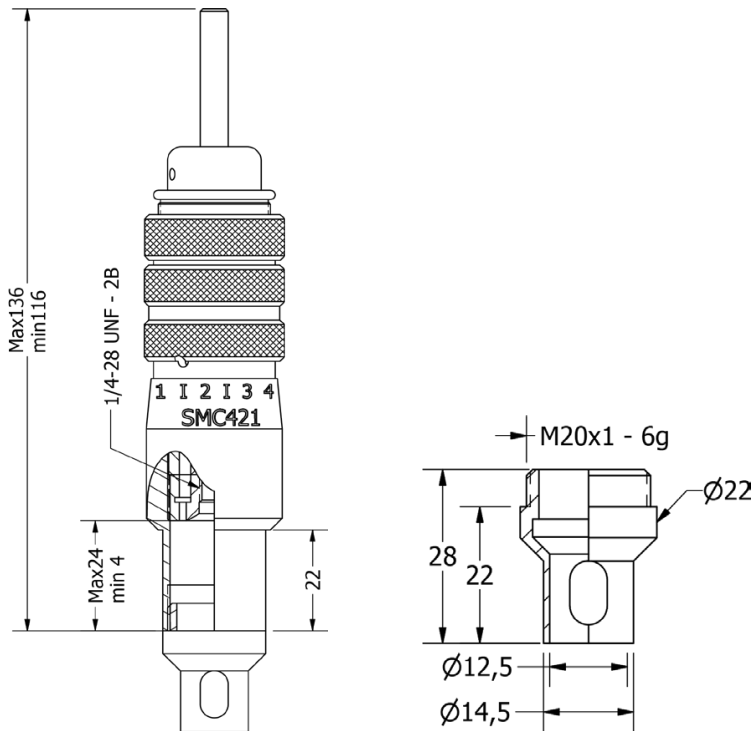
SABRE AIRCRAFT TOOLS

SMC421 Precision Microstop Cage

21mm – 0.826” stroke for drilling, reaming and countersinking

- Full ball bearing design
- 0.0004” (0.01 mm) increment adjustment
- 0.826” (21 mm) stroke

Part No.	Cutter Thread	Skirt 14.5mm	Skirt 24mm	Skirt M35X1	Skirt Tripod
S30421	1/4”-28	✓			
S30422	1/4”-28		✓		
S30423	1/4”-28			✓	
S30424	1/4”-28				✓
S30425	M6X1	✓			
S30426	M6X1		✓		
S30427	M6X1			✓	
S30428	M6X1				✓



Foot Piece M35X1
 #SP30405 Stainless
 #SP30406 No-Mar

Safety Precaution: Read and follow all safety and operating instructions.

WARNING: Face and eye protections must be worn while operating power tools, per ANSI B186.1

Products and specifications subject to change without prior notice.

www.sabretools.com • info@sabretools.com

