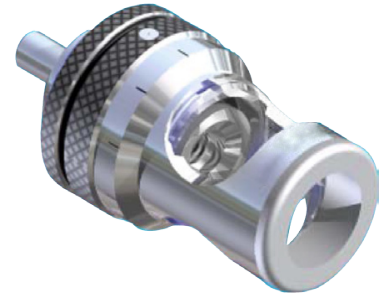


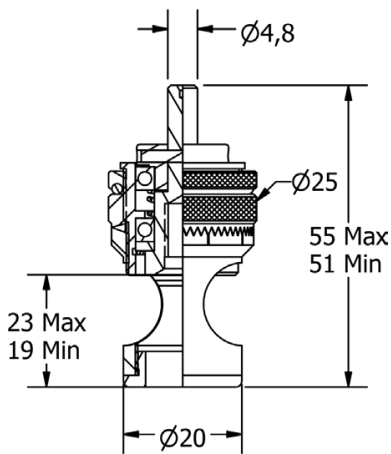
# SABRE AIRCRAFT TOOLS

## SMC100 Precision Microstop Cage

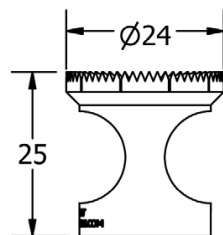
- Full ball bearing design
- 0.0004" (0.01 mm) increment adjustment
- 0.14" (3.5 mm) stroke



Part No.	Cutter Thread	Threaded Skirt	Offset Skirt	No-Mar Foot Piece	Stainless Foot Piece	Shank inch/mm
S30100	1/4"-28	✓		✓		4.8" (0.188) Round
S30101	1/4"-28	✓			✓	4.8" (0.188) Round
S30102	M6X1	✓		✓		4.8" (0.188) Round
S30103	M6X1	✓			✓	4.8" (0.188) Round
S30104	1/4"-28		✓			4.8" (0.188) Round
S30105	M6X1		✓			4.8" (0.188) Round
S30106	1/4"-28	✓		✓		1/4-28" Male Thread
S30107	1/4"-28	✓			✓	1/4-28" Male Thread
S30108	1/4"-28		✓			1/4-28" Male Thread



#P301010  
Standard  
Threaded Skirt



Foot Piece  
#P301040 No-Mar  
#P301045 Stainless

#P301015  
Offset Skirt

