

# SABRE AIRCRAFT TOOLS

## SMC360 Premium Stainless Microstop

- **Stainless Steel Construction**
- Full Ball Bearing Construction
- 0.004" (0.01mm) increment adjustment
- 0.350" (9.0mm) stroke

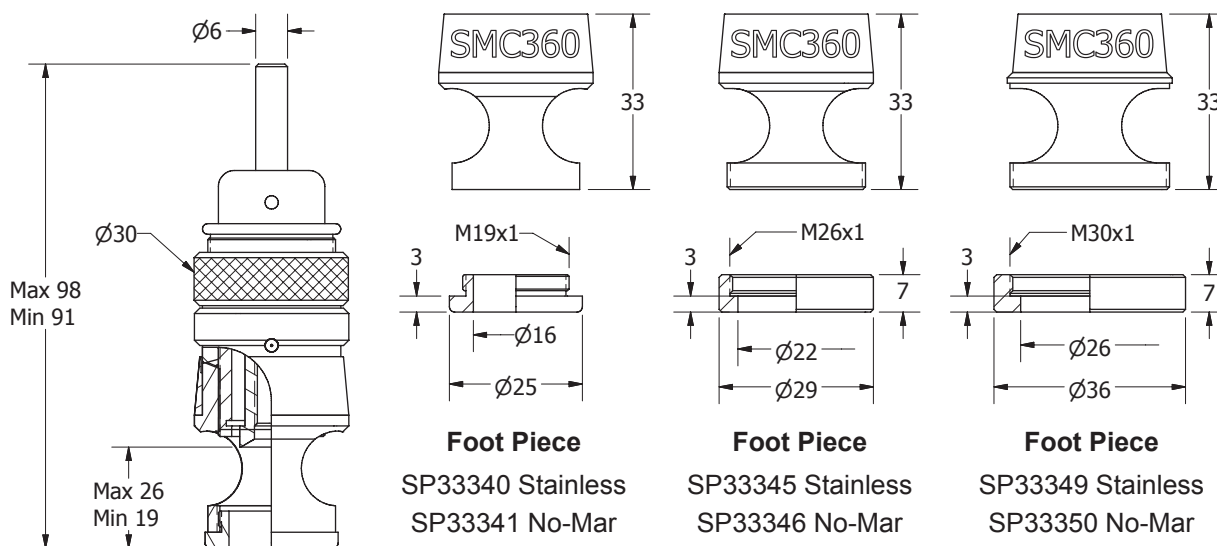
Part no.	Cutter Thread	Standard Skirt 16 mm ID	Safety Skirt 16 mm ID	Standard Skirt 22 mm ID	Safety Skirt 22 mm ID	Standard Skirt 26 mm ID	Safety Skirt 26 mm ID
S33601	1/4"-28	✓					
S33602	1/4"-28		✓				
S33603	M6X1	✓					
S33604	M6X1		✓				
S33610	1/4"-28			✓			
S33611	1/4"-28				✓		
S33612	M6X1			✓			
S33613	M6X1				✓		
S33614	M8X1			✓			
S33615	M8X1				✓		
S33620	1/4"-28					✓	
S33621	1/4"-28						✓
S33622	M6X1					✓	
S33623	M6X1						✓
S33624	M8X1					✓	
S33625	M8X1						✓



**S33601 Shown**  
Standard Skirt Shown



**S33621 Shown**  
Safety Skirt Shown



**All Microstops are supplied with a Stainless and No-Mar Foot Piece**

Products and specifications subject to change without prior notice.

**WARNING:** Face and eye protections must be worn while operating power tools, per ANSI B186.1

[www.sabretools.com](http://www.sabretools.com) • [info@sabretools.com](mailto:info@sabretools.com)

